

CLARKO[®]



DRILL PRESS

MODEL NO: CDP5EB/RB

PART NO: 6550030 & 6550035

OPERATION & MAINTENANCE INSTRUCTIONS



GC0514

INTRODUCTION

Thank you for purchasing this CLARKE Drill Press. These instructions cover the CDP5EB (blue) and the CDP5RB (red).

Before attempting to use this product, please read this manual thoroughly and follow the instructions carefully. In doing so you will ensure the safety of yourself and that of others around you, and you can look forward to your purchase giving you long and satisfactory service.

IMPORTANT

Please read all of the safety and operating instructions carefully before using this product. Please pay particular attention to all sections of these instructions that display warning symbols and notices.



WARNING: THIS SYMBOL IS USED THROUGHOUT THE INSTRUCTIONS WHENEVER THERE IS A RISK OF PERSONAL INJURY. ENSURE THAT THESE WARNINGS ARE READ AND UNDERSTOOD AT ALL TIMES.

GUARANTEE

This product is guaranteed against faulty manufacture for a period of 12 months from the date of purchase. Please keep your receipt which will be required as proof of purchase.

This guarantee is invalid if the product is found to have been abused or tampered with in any way, or not used for the purpose for which it was intended.

Faulty goods should be returned to their place of purchase, no product can be returned to us without prior permission.

This guarantee does not effect your statutory rights.

GENERAL SAFETY RULES



WARNING: WHEN USING ELECTRIC TOOLS, BASIC SAFETY PRECAUTIONS SHOULD ALWAYS BE FOLLOWED TO REDUCE THE RISK OF FIRE, ELECTRIC SHOCK AND PERSONNAL INJURY INCLUDING THE FOLLOWING. READ ALL THESE INSTRUCTIONS BEFORE ATTEMPTING TO OPERATE THIS PRODUCT AND SAVE THESE INSTRUCTIONS FOR FUTURE REFERENCE.

GENERAL SAFETY IN THE WORKPLACE

1. ALWAYS ensure that air can circulate around the machine and that the air vents are unobstructed.
2. ALWAYS keep work area clean & tidy. Cluttered work areas and benches invite accidents.
3. NEVER over-reach. Keep proper footing and balance at all times.
4. NEVER store equipment in a wet/damp environment or expose to rain.
5. KEEP other persons away. Do not let persons, especially children, not involved in the work, touch the tool or extension cable and keep them away from the work area.
6. NEVER operate a machine when under the influence of alcohol, drugs or medication.
7. ALWAYS ensure the workplace is well lit. Ensure that lighting is placed so that you will not be working in your own shadow.
8. Do not use tools in the presence of flammable liquids or gasses.
9. Stay alert, watch what you are doing, use common sense and do not operate the tool when you are tired.

CARE OF POWER TOOLS

1. Read this manual carefully. Learn the machines applications and limitations, as well as the specific potential hazards peculiar to it.
2. ALWAYS keep guards in place and in working order. A guard or other part that is damaged should be properly repaired or replaced by an authorised service centre, unless otherwise indicated in this instruction manual.
3. Remove any adjusting keys or wrenches before starting. Form the habit of checking to ensure that keys, wrenches and tools are removed from the machine.
4. Don't force the machine and use the correct tool. It will do the job better and safer, at the rate for which it was intended.

5. ALWAYS disconnect the machine from the power supply before carrying out any servicing or changing of accessories.
6. Before further use of the tool, it should be carefully checked to determine that it will operate properly and perform its intended function. Check for alignment of moving parts, binding of moving parts, breakage of parts, mounting or other condition that may affect its operation.
7. Have defective switches repaired by an authorised service centre. Do not use a tool if the switch does not turn it on and off.
8. ALWAYS check for any damage or any condition that could affect the operation of the machine. Damaged parts should be properly repaired.
9. NEVER remove the cover panel unless the machine is disconnected from the power supply, and never use the machine with cover panels removed.
10. Have your tool repaired by a qualified person. This tool complies with the relevant safety rules. Repairs should only be carried out by qualified persons using original spare parts, otherwise this may result in considerable danger to the user.
11. NEVER use this product for any other purpose than that described in this booklet.
12. NEVER abuse the power cable by yanking the cable to disconnect it from the socket. Keep the cable away from heat, oil or sharp edges.
13. Guard against electric shock. Avoid body contact with earthed or grounded surfaces.
14. If the tool should be used outdoors, use only extension cables intended for outdoor use and marked accordingly.
15. Avoid accidental starting by making sure the power switch is off before plugging in the power cable.

ADDITIONAL SAFETY RULES FOR DRILL PRESSES



CAUTION: AS WITH ALL MACHINERY, THERE ARE CERTAIN HAZARDS INVOLVED WITH THEIR OPERATION AND USE. EXERCISING RESPECT AND CAUTION WILL CONSIDERABLY LESSEN THE RISK OF PERSONAL INJURY. HOWEVER, IF NORMAL SAFETY PRECAUTIONS ARE OVERLOOKED, OR IGNORED, PERSONAL INJURY TO THE OPERATOR, OR DAMAGE TO PROPERTY MAY RESULT.

1. IMPORTANT: You should not operate this machine unless you are thoroughly familiar with drilling machines and drilling techniques. If there is any doubt whatsoever you should consult a qualified person.
2. NEVER operate the machine until it is completely assembled and you have read and understood this entire manual.

3. ALWAYS use clamps or a drill vice bolted to the table, to hold the work. It should never be held with bare hands.
4. ALWAYS shut off the power & remove drill bit before leaving the machine.
5. ALWAYS make all adjustments with the power off.
6. ALWAYS use the correct drilling speeds for the drill size and the type of material being drilled.
7. NEVER leave the drill unattended whilst it is running. Turn the machine OFF and do not leave until it has come to a complete stop.
8. ALWAYS remove and store the drill bits when you have finished work.
9. NEVER attempt to drill into a workpiece that does not have a flat surface unless a suitable support is used.
10. ALWAYS stop the drill before removing workpieces, work supports or swarf from the table.
11. Keep drills sharp and clean for best and safest performance. Follow instructions for changing accessories.
12. Adjust the table or depth stop to avoid drilling into the table surface.
13. ALWAYS be sure that the drill bit is securely locked in the chuck.
14. NEVER assemble or set up any work on the table while the drill is running.
15. ALWAYS ensure the table lock is tight before starting the drill.
16. Keep handles dry, clean and free from oil and grease.
17. ALWAYS keep hands and fingers away from the drill bit.



WARNING: DUST GENERATED FROM CERTAIN MATERIALS CAN BE HAZARDOUS TO YOUR HEALTH. ALWAYS OPERATE THE DRILL IN A WELL VENTILATED AREA. USE A DUST COLLECTION SYSTEM IF POSSIBLE.

WARNING: THE USE OF ANY ACCESSORY OR ATTACHMENT OTHER THAN ONE RECOMMENDED IN THIS INSTRUCTION MANUAL MAY PRESENT A RISK OF PERSONAL INJURY.

PROTECTIVE CLOTHING

1. Dress properly. Loose clothing or other jewellery may get caught in moving parts. Non-slip footwear is recommended. Wear protective hair covering to contain long hair..
2. ALWAYS wear safety glasses. (Everyday glasses are not safety glasses.)
3. Wear a face mask if drilling into any material which produces dust.

ELECTRICAL CONNECTIONS



WARNING! Read these electrical safety instructions thoroughly before connecting the product to the mains supply.

Before switching the product on, make sure that the voltage of your electricity supply is the same as that indicated on the rating plate. This product is designed to operate on 230VAC 50Hz. Connecting it to any other power source may cause damage.

This product may be fitted with a non-rewireable plug. If it is necessary to change the fuse in the plug, the fuse cover must be refitted. If the fuse cover becomes lost or damaged, the plug must not be used until a suitable replacement is obtained.

If the plug has to be changed because it is not suitable for your socket, or due to damage, it should be cut off and a replacement fitted, following the wiring instructions shown below. The old plug must be disposed of safely, as insertion into a mains socket could cause an electrical hazard.

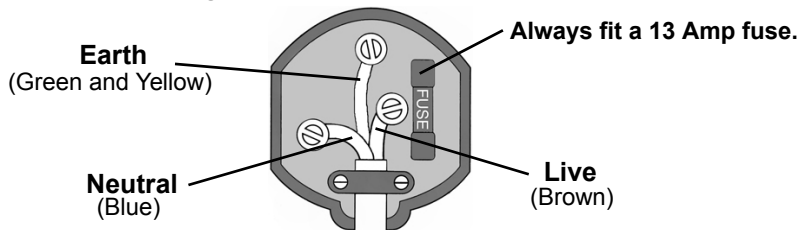


**WARNING! The wires in the power cable of this product are coloured in accordance with the following code:
Blue = Neutral Brown = Live Yellow and Green = Earth**

If the colours of the wires in the power cable of this product do not correspond with the markings on the terminals of your plug, proceed as follows.

- The wire which is coloured **Blue** must be connected to the terminal which is marked **N** or coloured **Black**.
- The wire which is coloured **Brown** must be connected to the terminal which is marked **L** or coloured **Red**.
- The wire which is coloured **Yellow and Green** must be connected to the terminal which is marked **E** or \perp or coloured **Green**.

Plug must be BS1363/A approved.

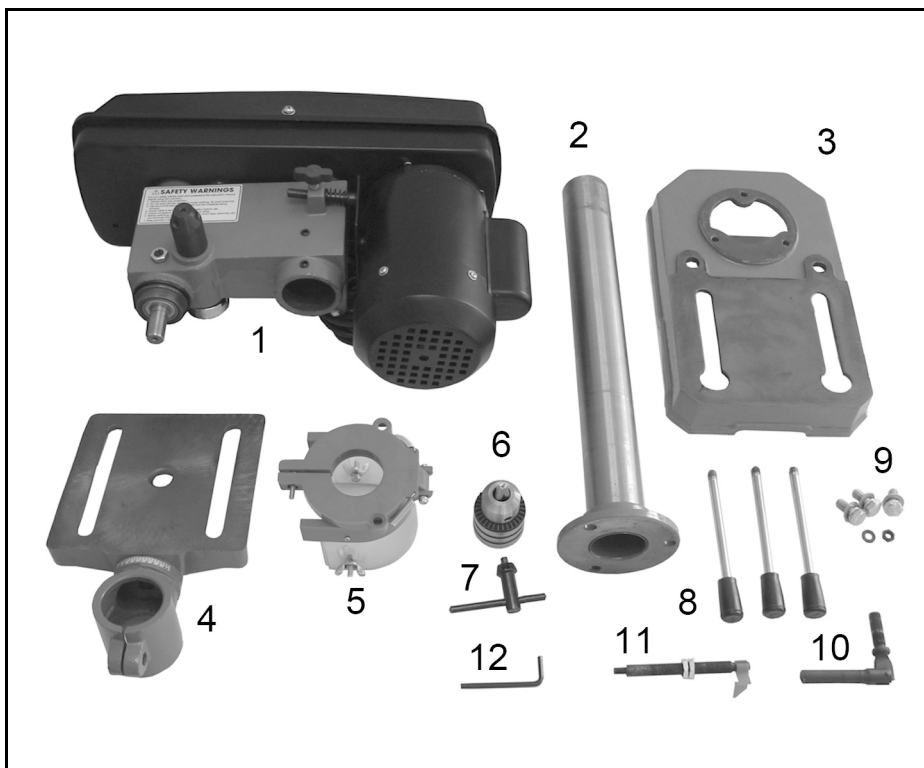


Ensure that the outer sheath of the cable is firmly held by the clamp

We strongly recommend that this machine is connected to the mains supply via a Residual Current Device (RCD)

If in any doubt, consult a qualified electrician. DO NOT attempt any repairs yourself.

PRODUCT OVERVIEW



NO	DESCRIPTION
1	Head & Motor Assembly
2	Column
3	Base
4	Table
5	Chuck Guard Assembly
6	Chuck

NO	DESCRIPTION
7	Chuck Key
8	Feed Handles (x 3)
9	Bolts (x 3)
10	Table Locking Handle
11	Depth Stop Assembly
12	Hex Key

UNPACKING

The drill press is delivered with the components shown on page 7.

Check the parts against the above list. Should there be any deficiencies or damage, you should contact your CLARKE dealer immediately where the product was originally purchased. Do not discard the packaging until the machine is assembled. The packaging consists of cardboard and appropriately marked materials which can be sent to a re-cycling facility.

To protect the machine parts from moisture, a protective coating of light machine oil will have been applied to the outside surfaces. Remove any excess with a paper towel.

Take care when lifting the head assembly, considering its weight.

Before use, the machine must be mounted, and securely bolted, to a strong, heavy workbench, of sufficient height that you will be standing upright when working.

Ensure the work place is adequately lit, and that you will not be working in your own shadow.

ASSEMBLY

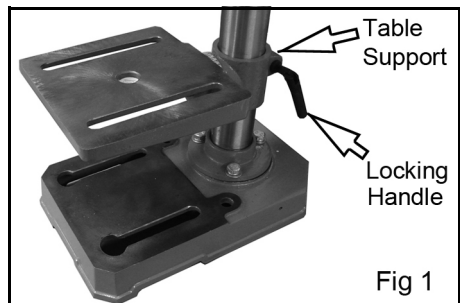
COLUMN TO BASE

Bolt the column assembly to the base with the three bolts provided.

NOTE: Ideally, the base with column attached, should be firmly bolted to the workbench, prior to the assembly of other components.

TABLE TO COLUMN

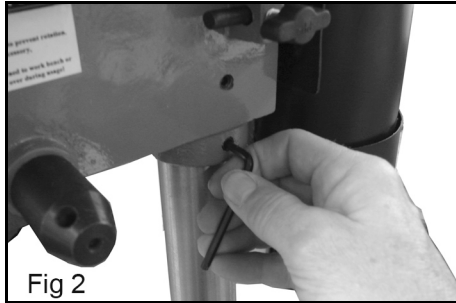
1. Thread the table locking handle into the table support from the right hand side and leave it loose at this stage.
2. Slide the table support with the table, over the column, and allow it to rest against the base as shown in Fig 1.



HEAD TO COLUMN

NOTE: It may be necessary to unscrew both the head locking set screws slightly, to ensure they do not protrude internally, as this would prevent the head from sliding fully into position.

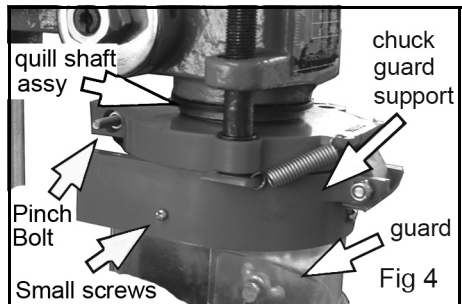
1. Lift the head assembly and locate it on top of the column, ensuring it slides home fully.
2. Align the head with the base, and firmly secure to the column with the set screws as shown in Fig 2. Tighten with the hex key supplied.
3. Screw the three feed handles, firmly into the hub of the feed shaft shown in Fig 3.



CHUCK GUARD ASSEMBLY

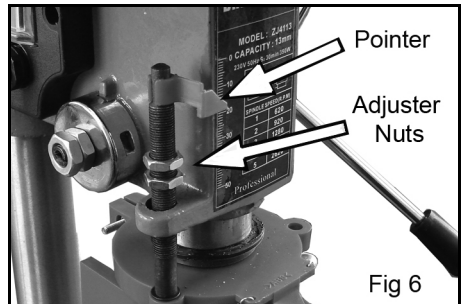
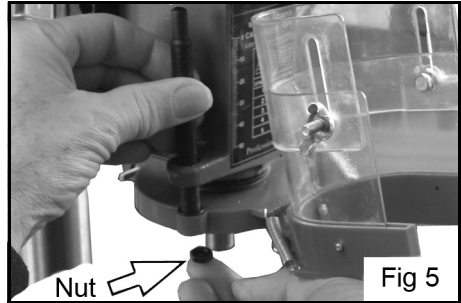
This task should be carried out before the chuck is installed.

1. Slide the chuck guard support over the Quill Shaft and nip up the pinch bolt at the rear of the assembly shown in Fig 4.
2. Assemble the transparent guard to the guard support using the small bolt/nut and the two small screws provided. (A small x-head screwdriver will be required.)



ASSEMBLING THE DEPTH STOP

1. Slide the end of the threaded rod through the bracket on the side of the head and through the hole in the top of the chuck guard support as shown in Fig 5.
2. Secure with the nut provided, from beneath, locking the Depth Stop to the Chuck Guard and the spindle assembly. (In use, as the spindle is moved downwards, the depth stop will move by the same amount).
3. Add the two adjuster nuts to the depth stop and slide the pointer to the tip of the stop rod as shown in Fig 6. The pointer may be zeroed by sliding it up or down on its mounting.



INSTALLING THE CHUCK

1. With the chuck guard lifted clear of the spindle nose, slide the work table up the column to within 6" of the spindle.
2. Open the jaws of the chuck to their maximum, using the chuck key supplied.
3. Put a piece of scrap wood on the table to protect the chuck nose as shown in Fig 7.
4. Ensuring all parts are thoroughly clean, dry, and burr free, place the chuck over the end of the spindle and pull the spindle down using the feed handles, pressing the chuck jaws hard against the piece of scrap wood until the chuck is forced home. Discard the scrap wood.
5. When the chuck is installed, turn the chuck guard around so that the shield is facing the front, and tighten the pinch bolt to secure it in position.



TENSIONING THE DRIVE BELT

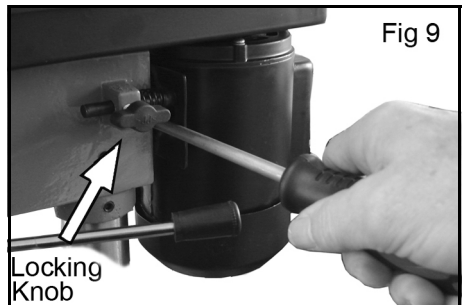
The drive belt is pre-installed as in Fig 8, but should it require tensioning for the spindle speed to be changed, proceed as follows:

1. Open the lid of the belt drive cover after undoing the screw (on the side opposite the hinges).
2. Undo the belt tension locking knob to relieve any tension on the belt, and referring to the chart inside the belt cover (which is duplicated on page 13), install the belt in the position corresponding to the spindle speed required.



3. Lever the motor, with its bracket, away from the head, so that tension is applied to the belt. Tension is correct when the belt deflects by approx. 1/2" at its centre, when using reasonable thumb pressure. Lock the motor in this position using the locking knob

NOTE: If the belt should slip whilst drilling, increase belt tension.



IMPORTANT: When closing the cover, check the operation of the microswitch. It should operate IMMEDIATELY the cover is opened. Undo the microswitch fixing screw and adjust if necessary.

SETTINGS AND ADJUSTMENTS

TABLE

The table may be raised, lowered or swivelled about the column, by slackening off the table support locking handle, adjusting accordingly and re-tightening the handle.

It may also be tilted by loosening the bolt beneath the table, tilting the table to the required position and re-tightening the bolt shown in Fig 10.



A bevel scale is provided on the table mounting, (measured in degrees), to assist in setting the required angle. However, for greater accuracy the use of a protractor is recommended.

For all normal operations, the table should be set to 0°. This should be checked with a set-square.

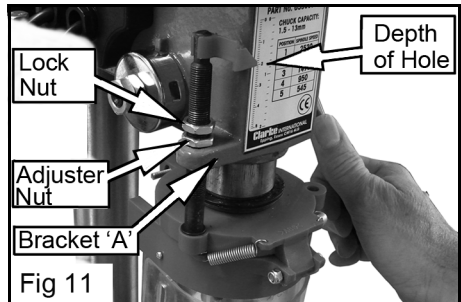
To check to ensure the drill is entirely perpendicular to the table, install a large drill bit in the chuck, place a square on the table, and bring it up to the drill. Adjust the table tilt if necessary, so that the table is perfectly square.

SPINDLE DEPTH STOP

To set the depth of the hole, adjust the depth stop as follows:

1. Lower the chuck with the power OFF, until the drill bit touches the surface of the workpiece, and hold in that position.
2. Spin down the adjuster nut so that the gap between its underside and top of bracket 'A' (Fig 11) is the depth of the hole required.

Screw down the lock nut and lock it against the adjuster nut.



The drill is now set to drill holes to your pre-determined depth from that particular start point. i.e. Providing the surface of your workpiece is flat and level, you may drill a series of holes, each to the same depth.

The scale and pointer can be used when drilling individual holes.

Lower the chuck until the drill bit touches the work, set the pointer against a point on the scale, and proceed to drill to the required depth, using the scale.

CHANGING DRILL (SPINDLE) SPEED

Before changing the speeds, ensure the machine is switched OFF, and disconnected from the power supply.

1. Open the pulley cover.
2. Slacken off the belt tension locking knob, to relieve any tension on the drive belt.
3. Consult the chart inside the pulley cover, and position the belt on the pulley's according to the spindle speed required.
4. When the belt has been correctly positioned, re-tension by levering the motor away from the head, until the belt deflects by approx. ½" at its centre when using reasonable thumb pressure. Lock the motor in this position with the belt tension locking knob.

DRILL SPEED TABLE

The table below gives the belt arrangement for given drill speeds. The diagram shows the belts fitted to step D of the spindle (driven) pulley, and step 4 of the motor (drive) pulley, giving a spindle speed of 1750 rpm.

A similar chart is also located on the inside of the pulley cover.



SPINDLE SPEED	BELT POSITION
620 rpm	A1
920 rpm	B2
1280 rpm	C3
1750 rpm	D4
2620 rpm	E5

OPERATION

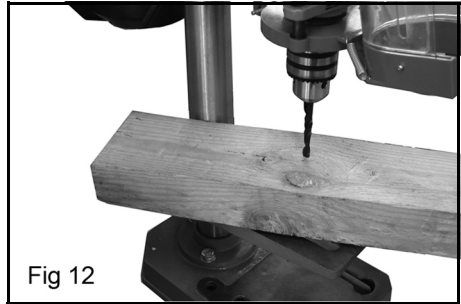
1. Insert the drill into the jaws of the chuck by approx 1", ensuring that the jaws do not touch the flutes of the drill. Before tightening the chuck, ensure that the drill is centred within the jaws.
2. Ensure the table height and position is set, so that drill travel is sufficient for the job in hand.
3. Ensure the work is securely clamped or held in a drill vice, bolted to the table. Never hold it with bare hands. Personal injury may be caused if the workpiece is whipped out of the operator's hand, and damage to the machine incurred if the work strikes the column.

If the workpiece is of irregular shape and cannot be laid flat on the table, it should be securely blocked and clamped.

Any tilting, twisting, or shifting, results not only in a rough hole, but also increases drill bit breakage.

4. For small workpieces that cannot be clamped to the table, use a drill press vice. The vice must be clamped or bolted to the table.

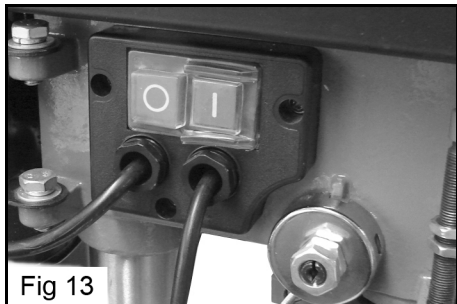
5. When drilling completely through wood, always position a piece of scrap wood between the workpiece and the table to prevent splintering on the underside of the workpiece as the drill breaks through. The scrap piece of wood must make contact with the left side of the column as shown in Fig 12 to prevent it moving.



6. In addition, set the depth of drill travel, so that the drill cannot possibly come into contact with the table, or align the table so that the hole in its centre is in line with the drill bit.

7. When completely satisfied that the setup is sound, lower the chuck guard into place, and switch the machine ON by pushing the 'I' button. To switch OFF, push the 'O' button, see Fig 13.

NOTE: As a safety feature, the ON/OFF switch is a 'No Volt Release' type. Therefore, if the power is interrupted whilst the machine is switched ON, it will not automatically start when the power is restored.



Form the habit of checking to see that the chuck key is removed from the machine before turning it on.

A micro switch is provided within the pulley cover, which prevents the machine from operating unless the pulley cover is fully closed.

A complete range of Drill Press vices, Cross Vices and Clamps, is available from your Clarke dealer.

CUTTING SPEEDS

Factors which determine the best speed to use in any drill press operation are:

- Type of material being worked
- Size of hole
- Quality of cut desired
- Type of drill

Generally, the smaller the drill, the greater the required RPM. In soft material, the speed should be higher than for hard metals.

As a guide, the drill speed for a given drill bit size, is according to the table below:

Speed Range	(rpm)	2620	1750	1280	920	620
Wood	inches mm	3/8 9.5	5/8 16	7/8 22	1 25.	1.1/4 31.75
Alum & Brass & Zinc Diecast	inches mm	7/32 5.6	11/32 8.75	15/32 12	1/2 12.7	11/16 17.5
Iron & Mild Steel	inches mm	3/32 2.4	5/32 4	1/4 6.4	3/8 9.5	1/2 12.5

DRILL PRESS VICES

In order to secure the workpiece to the table, a selection of Clarke drill press vices is available.

MAINTENANCE

For maximum performance, it is essential that the Drill Press is properly maintained. Always inspect it before use. Any damage should be repaired, and faults rectified. Always remove the plug from the power supply before carrying out any adjustment, servicing or maintenance.

Please refer to the trouble shooting chart on page 17. If you are unable to rectify any faults, please contact your local dealer or Clarke International Service Division for assistance.

MONTHLY (IF IN REGULAR USE)

1. Check tightness of mounting bolts, and head and column securing set screws.

2. Check the drive belt for wear, and replace if frayed or damaged.
3. Blow out with compressed air, or vacuum clean out, any dust that may have accumulated in the motor fan vents.
4. Apply a thin coat of wax paste or light oil to the table and column, for lubrication, and to help prevent corrosion.

If the mains lead is damaged in any way, it should be replaced immediately.

LUBRICATION

All bearings are packed with grease at the factory and require no further lubrication.

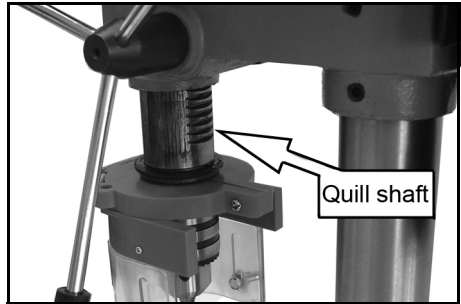
Occasionally, lubricate the quill shaft assembly with light oil if required.

AFTER USE

Remove all swarf from the machine and thoroughly clean all surfaces.

Components should be kept dry, with machined surfaces lightly oiled.

Always remove drill bits, and store in a safe place.



ENVIRONMENTAL RECYCLING POLICY



Through purchase of this product, the customer is taking on the obligation to deal with the WEEE in accordance with the WEEE regulations in relation to the treatment, recycling & recovery and environmentally sound disposal of the WEEE.

In effect, this means that this product must not be disposed of with general household waste. It must be disposed of according to the laws governing Waste Electrical and Electronic Equipment (WEEE) at a recognised disposal facility.

TROUBLE SHOOTING

PROBLEM	PROBABLE CAUSE	REMEDY
Noisy operation (under load).	<ul style="list-style-type: none"> a. Incorrect belt tension. b. Dry spindle. c. Loose pulley. d. Loose belt. e. Worn bearing. 	<ul style="list-style-type: none"> a. Adjust tension. b. Remove spindle and quill assembly and lubricate. c. Tighten pulley. d. Adjust belt tension. e. Replace bearing.
Excessive drill wobble.	<ul style="list-style-type: none"> a. Loose chuck. b. Worn spindle or bearing. c. Worn chuck. d. Bent drill bit. 	<ul style="list-style-type: none"> a. Tighten by pressing chuck down on to a block of wood against the table. b. Replace spindle shaft or bearing. c. Replace chuck. d. Renew drill bit.
Motor won't start.	<ul style="list-style-type: none"> a. Power supply. b. Motor connection. c. NVR switch connection faulty. d. Faulty switch. e. Motor windings burned. f. Pulley cover not closed. g. Micro switch on cover not operating. 	<ul style="list-style-type: none"> a. Check power cord/fuse. b. Check motor connections. c. Check switch connections. d. Replace switch. e. Replace motor. f. Close pulley cover. g. Check operation of micro switch, and renew/adjust as necessary. (Consult your Clarke dealer for advice).
Drill binds in work-piece.	<ul style="list-style-type: none"> a. Excessive feed pressure. b. Loose belt. c. Loose drill. d. Incorrect bit speed. e. Drill angles incorrect for type of material. 	<ul style="list-style-type: none"> a. Apply less pressure. b. Check belt tension. c. Tighten drill with key. e. Refer to Cutting Speed chart and adjust drill speed accordingly. e. Consult a technical manual dealing with materials, drills and cutting angles, and sharpen drill accordingly.

Drill bit burns or smokes.	a. Incorrect speed. b. Swarf is not discharging c. Dull drill or not proper clearance for material. d. Needs coolant. e. Excessive feed pressure	a. Refer to Cutting Speed chart & adjust drill speed accordingly. b. Clean drill. c. Check sharpness & taper. d. Use coolant whilst drilling. e. Apply less pressure.
Table difficult to raise.	a. Needs lubrication. b. Table lock tightened.	a. Lubricate with light oil. b. Loosen clamp.

SUITABLE ACCESSORIES

Drill Press Vices available from your Clarke dealer include:

Model	Jaw Width	Max Opening	Depth	Weight	Part No
CDV30C	76 mm	78 mm	19 mm	2 kg	6504019
CDV40C	102 mm	97 mm	28 mm	3 kg	6504020
CDV50C	127 mm	125 mm	37 mm	5 kg	6504021
CDV60C	152 mm	150 mm	38 mm	6 kg	6504022



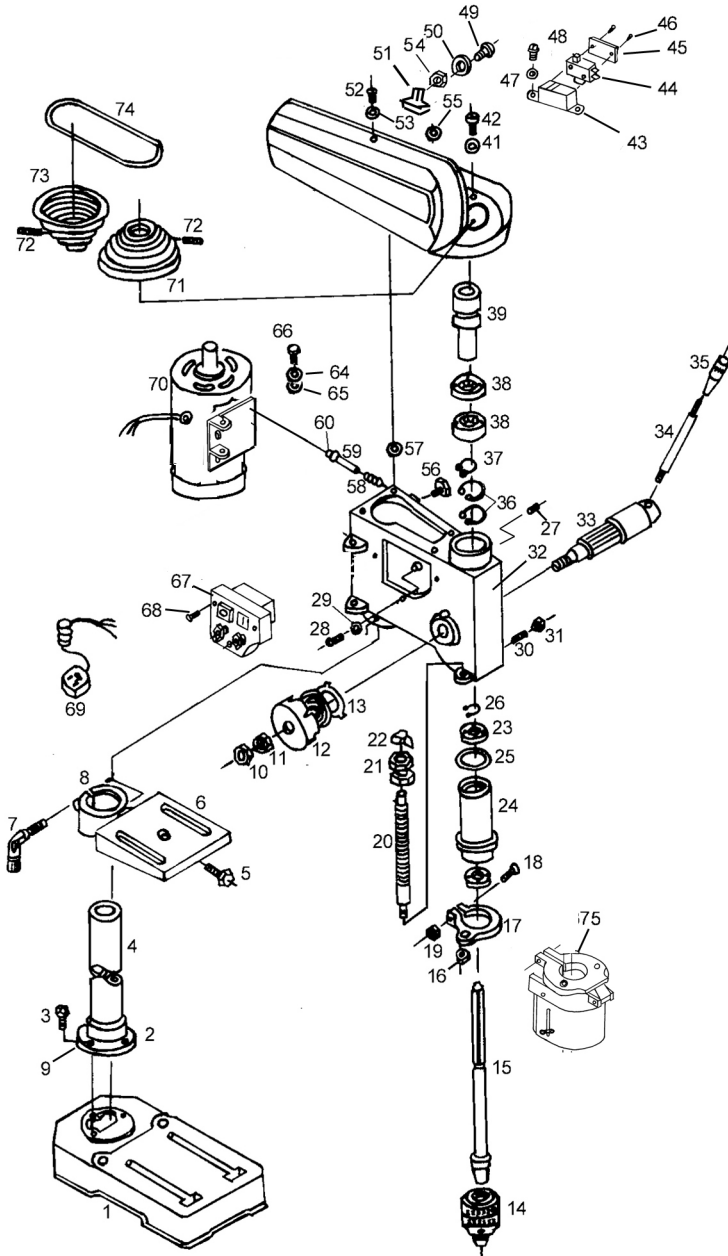
Table Clamps available from your Clarke dealer include:

Model	Size	Max Clamp Height	Part No
CVC6	152 mm	38 mm	6501920
CVC9	229 mm	95 mm	6501925

SPECIFICATION

Operating Temperature Range	-10°C - 40°C
Drill Chuck Capacity	1.5 - 13 mm
Overall Dimensions (D x W x H)	420 x 222 x 586 mm
Throat Capacity	167 mm
Table Dimensions	160 x 160 mm
Base Dimensions	183 x 292 mm
Chuck to Column Distance	104 mm
Chuck to Base Distance	250 mm
Table Travel (Y axis)	360°
Table Travel (Tilt)	45° from horizontal
Spindle Speed Range	620 - 2620 rpm
No of Speeds	5
Spindle Taper	B16
Spindle Travel	50 mm
Max Chuck to Table Distance	167 mm
Product Weight	14.7 kg
Sound Pressure Level	63 dB LWA
Sound Power Level	76 dB LWA
Uncertainty Factor	3
Vibration	2.5 m/s ²
Uncertainty Factor	1.5 m/s ²

PARTS DIAGRAM



PARTS LIST

No	Description
1	Base
2	Column Base
3	Bolt
4	Column
5	Bolt
6	Table
7	Clamping Handle
8	Table Clamp
9	Washer
10	Nut
11	Recoil Cover
12	Recoil Spring
13	Recoil Spring Holder
14	Chuck
15	Main Spindle
16	Nut
17	Chuck Guard Support
18	M/c Screw
19	Nut
20	Depth Indicator Pin
21	Nut
22	Depth Indicator Pointer
23	Lower Bearing 6201
24	Quill
25	Rubber Washer
26	Circlip 12 mm
27	Set-screw
28	Earth Screw
29	Shakeproof Washer
30	Screwed Rod

No	Description
31	Nut
32	Machine Housing
33	Feed Shaft
34	Handle
35	Handle Tip
36	Circlip 40
37	Lock Washer
38	Bearing 6203
39	Drive Sleeve
40	Drive Pulley Box
41	Washer
42	X-head Screw
43	Micro-switch Holder
44	Micro-switch
45	Micro-switch Cover
46	Screw
47	Large Washer
48	X-head screw
49	M/c Screw
50	Washer
51	Micro-switch Actuator
52	X-head Screw
53	Washer
54	Actuator Securing nut
55	Cable Grommit
56	Thumb Screw
57	Rubber Washer
58	Spring
59	Adjuster Rod
60	n/a

PARTS LIST

No	Description
61	n/a
62	n/a
63	n/a
64	Spring Washer M8
65	Washer M8
66	Hinge Bolt M8 x 25
67	On/OFF Switch
68	Screw M5 x 10
69	Power Cable
70	Drive Motor Assembly

No	Description
71	Driven Pulley
72	Grub Screw
73	Drive Pulley
74	Drive Belt
75	Perspex Chuck Guard
76	Capacitor
A	Hex Wrench
B	Chuck Key

When ordering spare parts, please quote the reference YYCDP5EB01 (blue items) or YYCDP5RB01 (red items) onwards.

DECLARATION OF CONFORMITY



Clarke[®]
INTERNATIONAL

Hemndall Street, Epping, Essex CM16 4LG

DECLARATION OF CONFORMITY

This is an important document and should be retained.

We hereby declare that this product(s) complies with the following directive(s):

- 2004/108/EC *Electromagnetic Compatibility Directive.*
- 2006/42/EC *Machinery Directive.*
- 2006/95/EC *Low Voltage Equipment Directive.*
- 2011/65/EU *Restriction of Hazardous substances.*

The following standards have been applied to the product(s):

- EN 61029-1:2009 +A11:2010, EN 55014-1:2006 +A1:2009, EN 55014-2:1997 +A2:2008,
- EN 61000-3-2:2006+A2:2009, EN 61000-3-3:2008

The technical documentation required to demonstrate that the product(s) meet(s) the requirement(s) of the aforementioned directive(s) has been compiled and is available for inspection by the relevant enforcement authorities.

The CE mark was first applied in: 2011

Product Description: 5 speed drill press
Model number(s): CDP5EB, CDP5RB
Serial / batch Number: N/A
Date of issue: 20/02/2013

Signed:

J.A. Clarke
Director

A SELECTION FROM THE VAST RANGE OF

Clarke®

QUALITY PRODUCTS

AIR COMPRESSORS

From DIY to industrial, Plus air tools, spray guns and accessories.

GENERATORS

Prime duty or emergency standby for business, home and leisure.

POWER WASHERS

Hot and cold, electric and engine driven - we have what you need

WELDERS

Mig, Arc, Tig and Spot. From DIY to auto/industrial.

METALWORKING

Drills, grinders and saws for DIY and professional use.

WOODWORKING

Saws, sanders, lathes, mortisers and dust extraction.

HYDRAULICS

Cranes, body repair kits, transmission jacks for all types of workshop use.

WATER PUMPS

Submersible, electric and engine driven for DIY, agriculture and industry.

POWER TOOLS

Angle grinders, cordless drill sets, saws and sanders.

STARTERS/CHARGERS

All sizes for car and commercial use.



PARTS & SERVICE: 020 8988 7400

E-mail: Parts@clarkeinternational.com or Service@clarkeinternational.com

SALES: UK 01992 565333 or Export 00 44 (0)1992 565335

Clarke® INTERNATIONAL Hemnall Street, Epping, Essex CM16 4LG
www.clarkeinternational.com